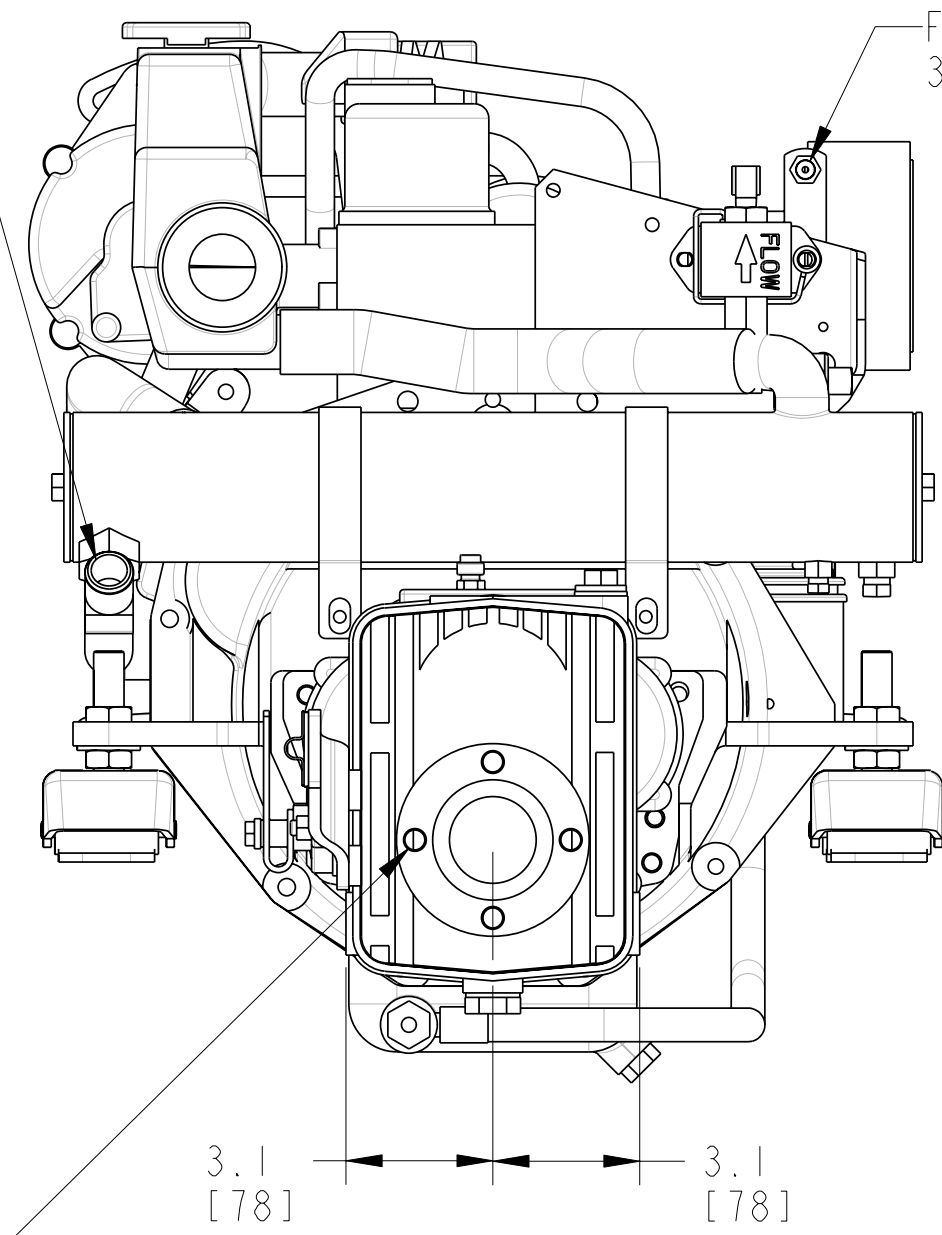
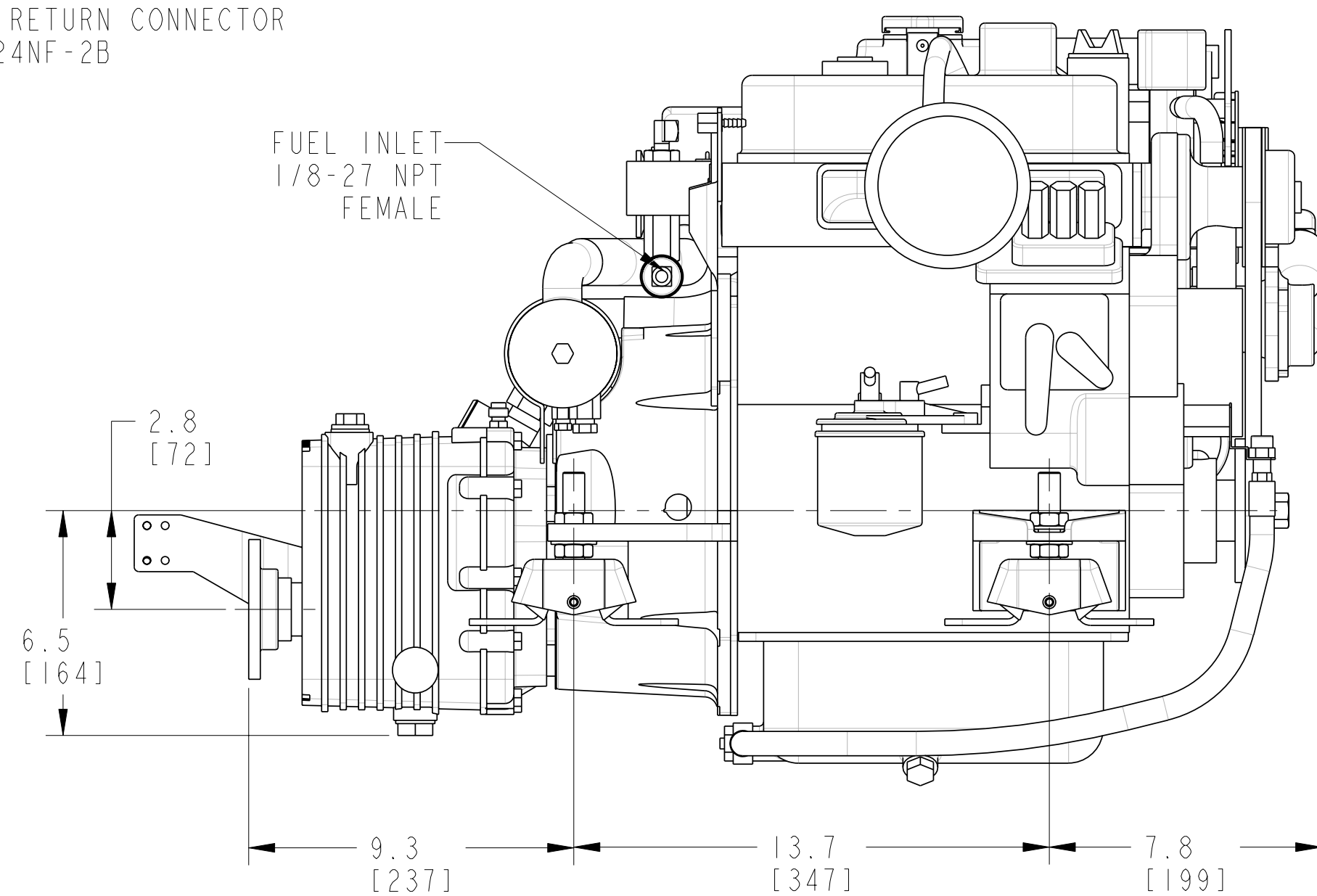


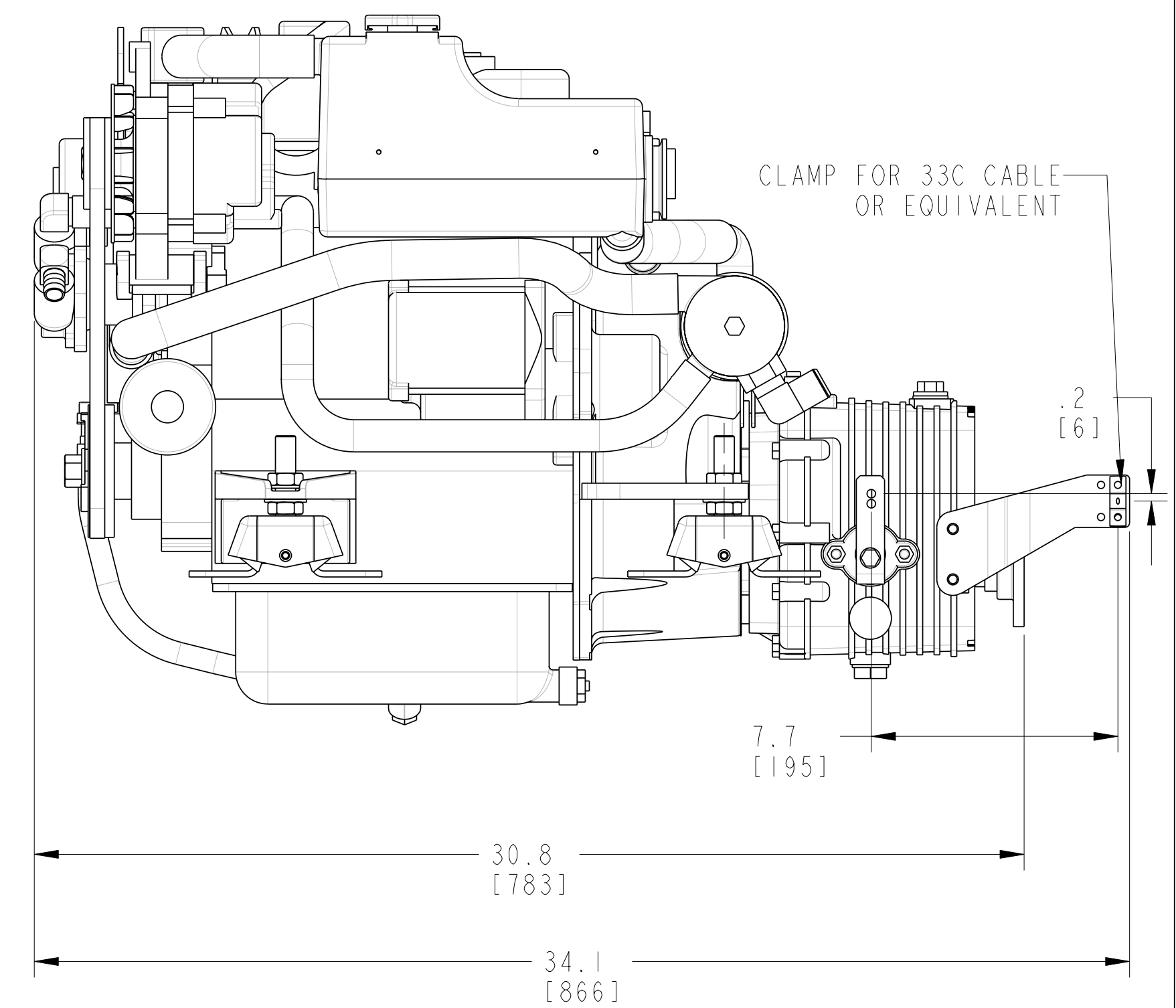
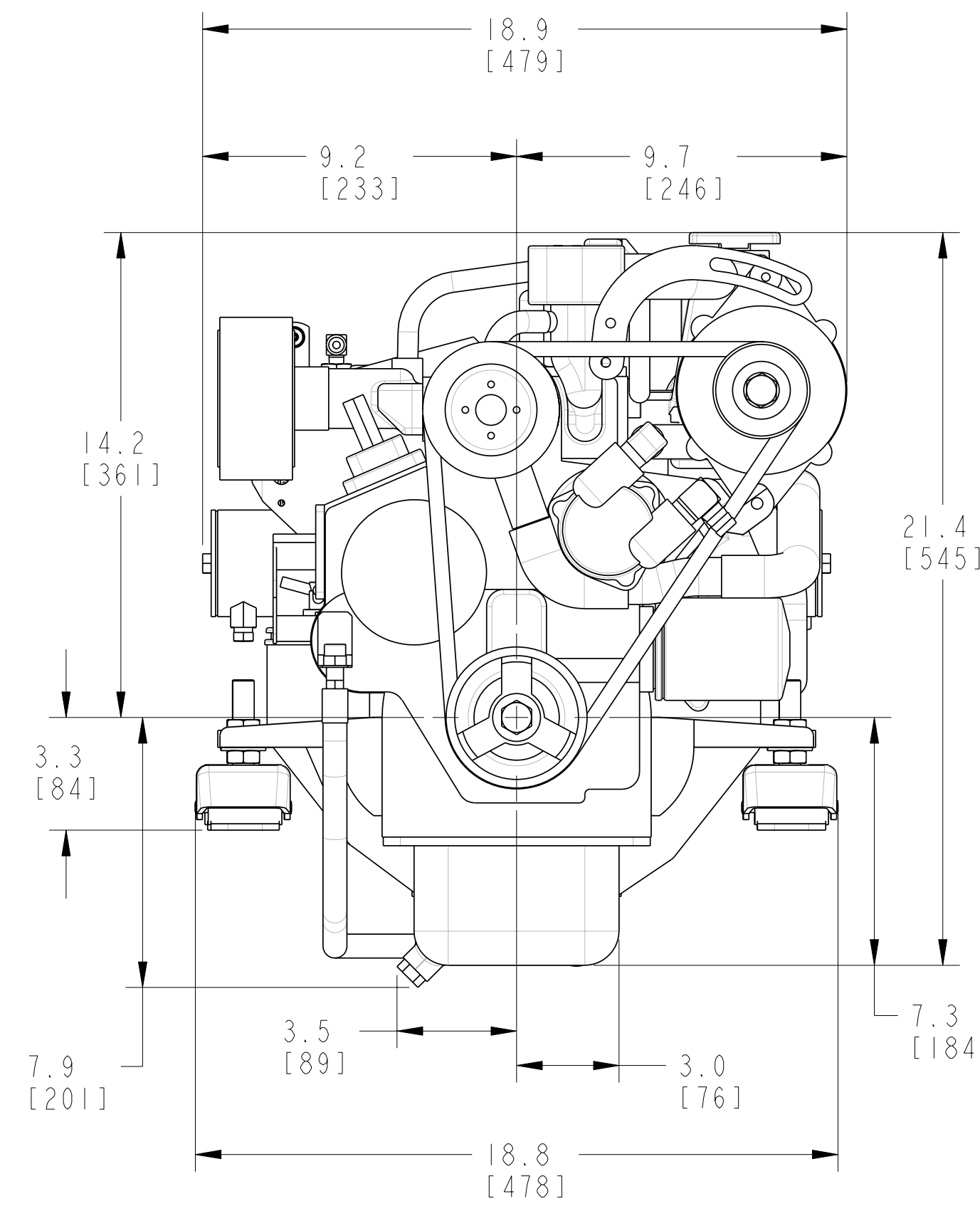
RAW WATER DISCHARGE
1.0 (25.4) I.D. HOSE



FUEL RETURN CONNECTOR
3/8-24NF-2B

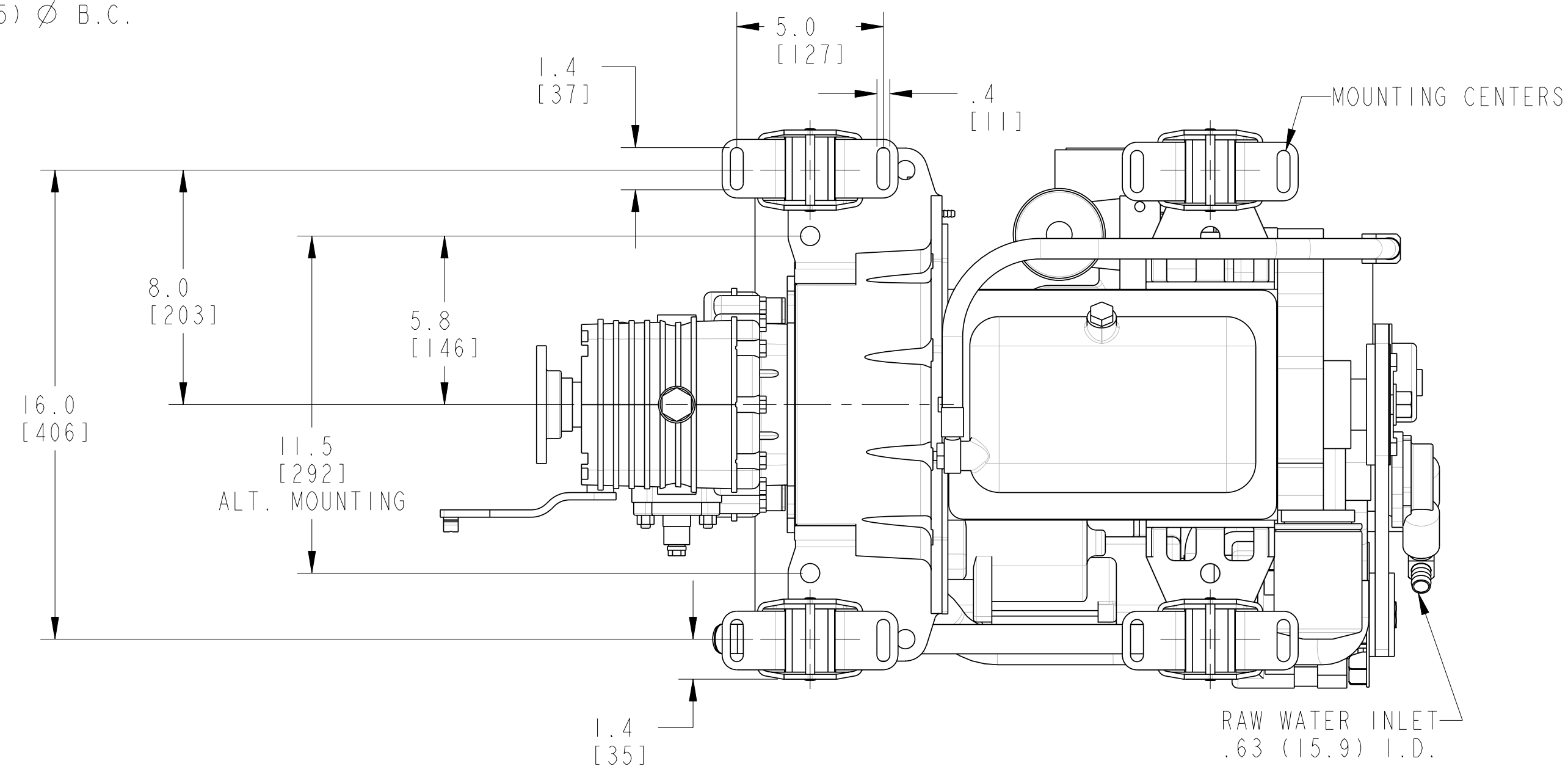


FUEL INLET
1/8-27 NPT
FEMALE

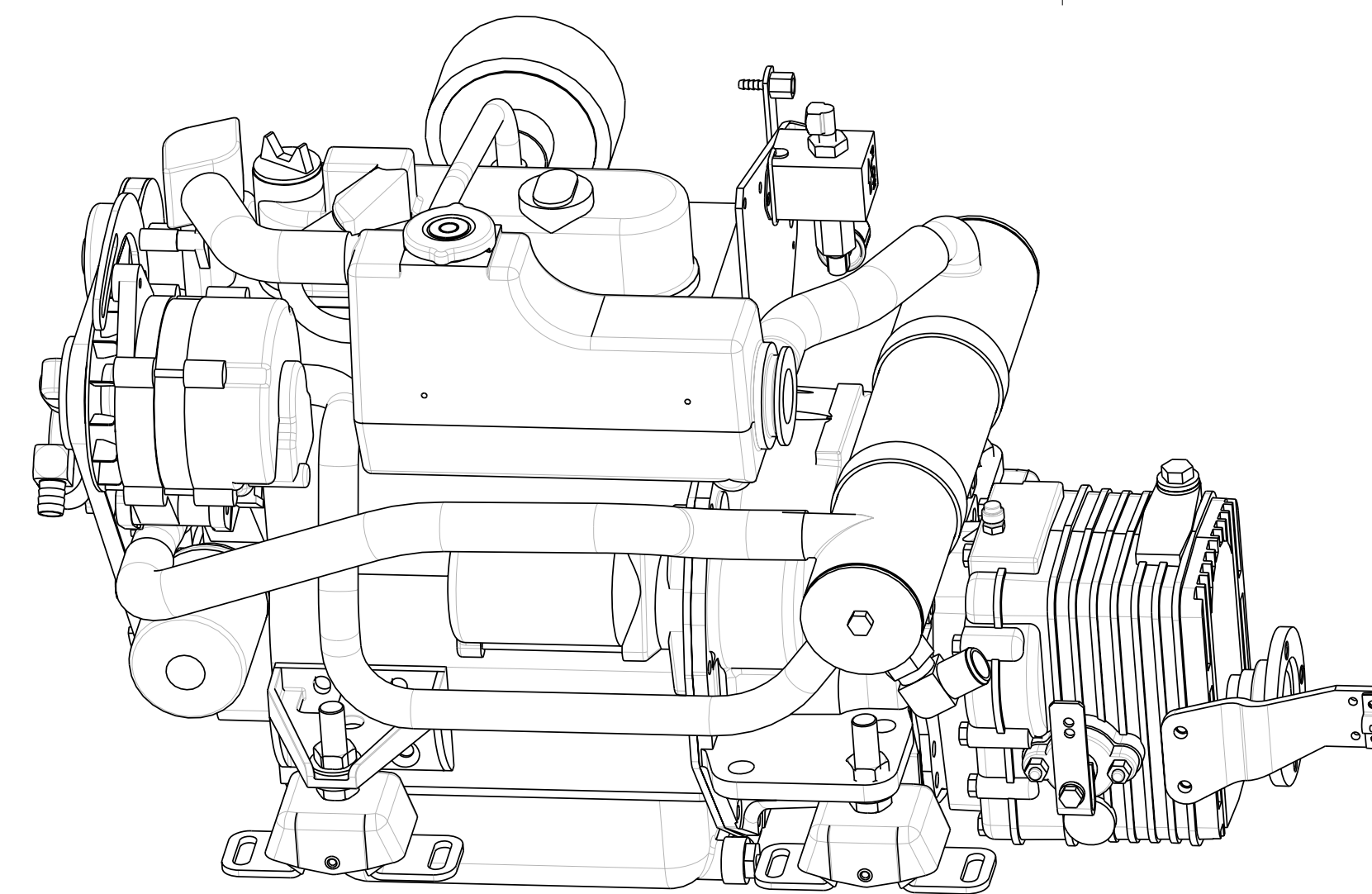


CLAMP FOR 33C CABLE
OR EQUIVALENT

Ø.413 [10.9] THRU (4) HOLES EQUALLY
SPACED ON A 3.25 (82.5) Ø B.C.



MOUNTING CENTERS



TOLERANCES (UNLESS OTHERWISE NOTED)		WESTERBEKE CORPORATION TAUNTON, MA. 02780	
INCHES	MILLIMETERS	TITLE	
.XX : .02	X. :	INSTALLATION DRAWING	
.XXX : .005	.X :	M-25XPB WITH PRM120 TRANSMISSION	
CAST : .03	.XX :	DRAWN BY	DATE
FINISH		GA	7/Oct/09
DIMENSIONS		APPROVED BY	DATE
INCHES		SCALE 0.250	
MILLIMETERS		SIZE	DRAWING NUMBER
(WHEN APPLICABLE)		SHT. 1 OF 1	D 201089